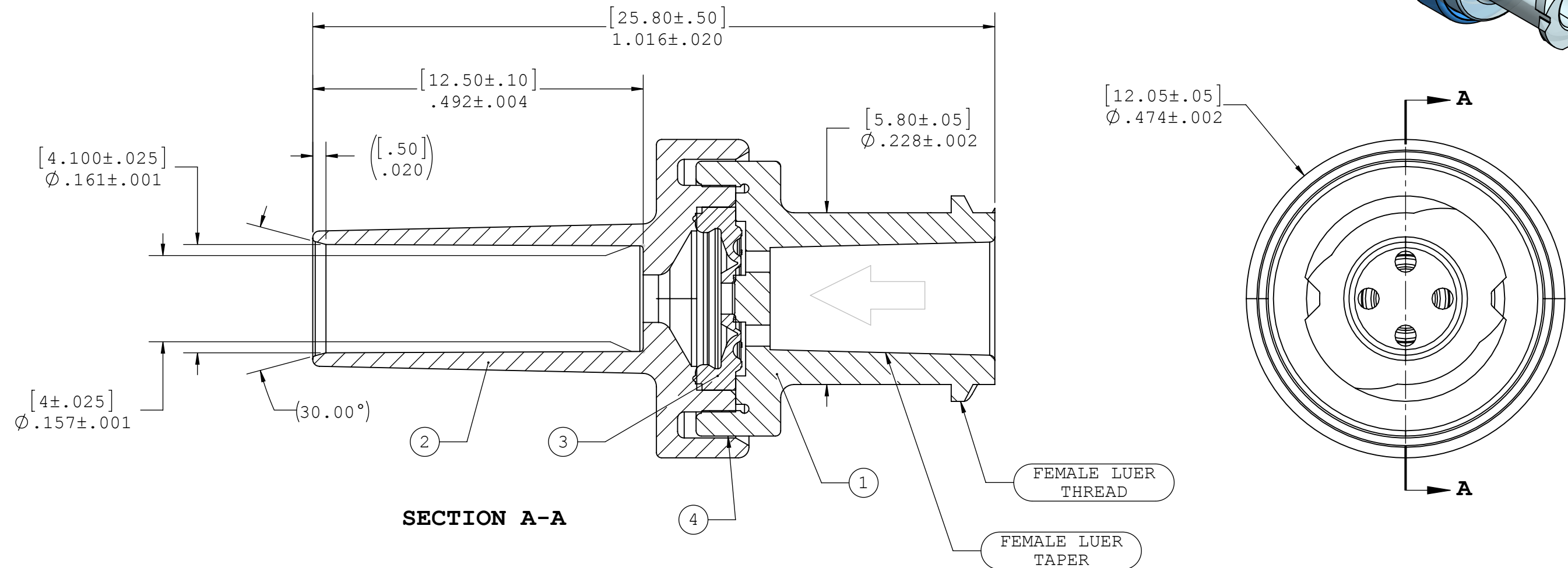
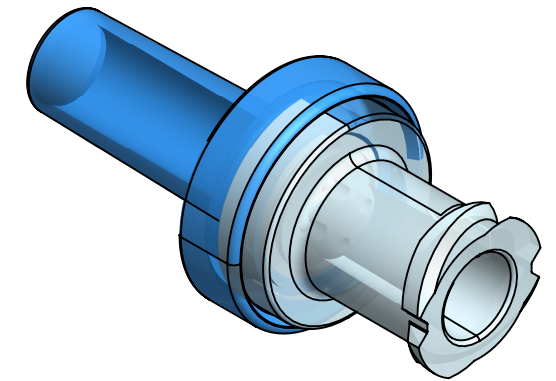


NOTES: FOR ADDITIONAL DETAILS, PLEASE CONTACT VP CUSTOMER SERVICE
 DIMENSIONS MARKED \square ARE CONTROL DIMENSIONS

REVISIONS			
REV.	DESCRIPTION	DATE	APPROVED
A	INITIAL RELEASE	08/12/13	S.N.R



UNLESS OTHERWISE SPECIFIED
 DIMENSIONS ARE IN INCHES
 TOLERANCES ARE:

FRACTIONS	DECIMAL	ANGULAR
±	.XX ±.01	± 1°
	.XXX ±.005	
	.XXXX ±.001	

DO NOT SCALE DRAWING

VALUE PLASTICS, INC

PART NUMBER: SCV06329

DESCRIPTION: Check Valve, Female Locking Luer to Socket for .161" (4.1 mm) OD to Tubing, Blue MABS and Clear SAN w/Silicone Diaphragm

DRAWN BY:
kyles

DATE:
11/6/2013

SIZE:
B

SCALE:
NTS

VER:

DWG. NO.
1027688

REV
A

MANAGER:
RaviN

© 2011 VALUE PLASTICS, INC

SHEET: 1 OF 1

FOR REFERENCE ONLY